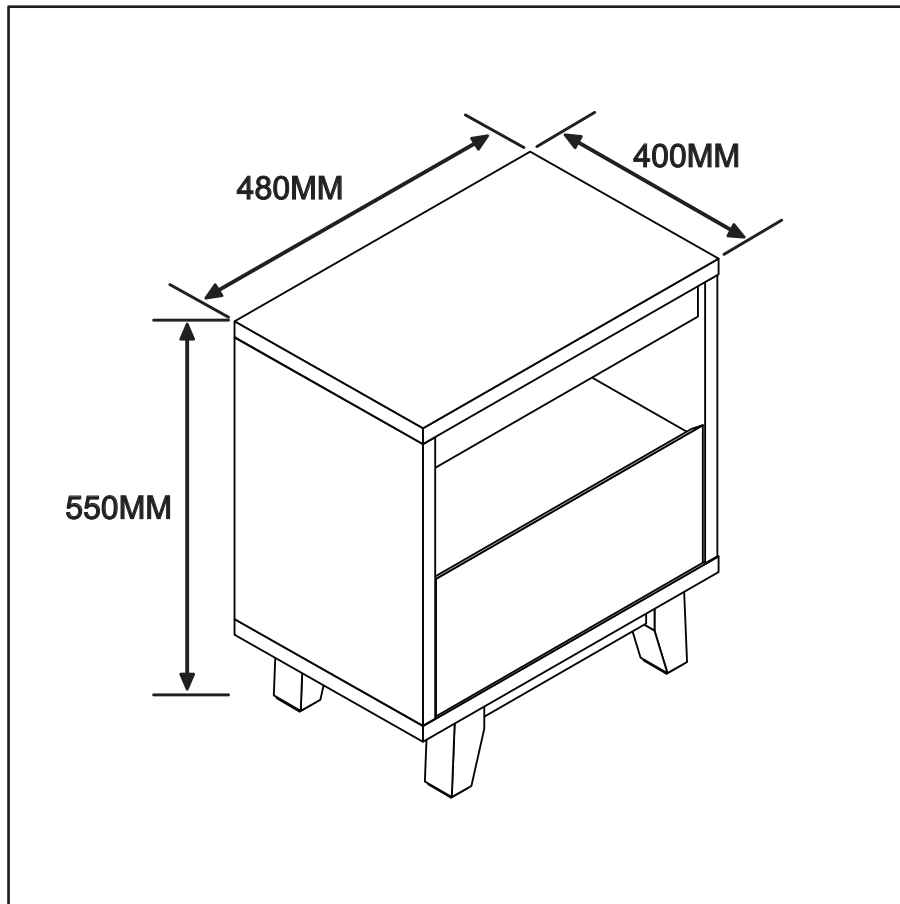




ASSEMBLY INSTRUCTION
ANDI 1 DRAWER BEDSIDE
ITEM CODE 54892

Imported by Amart Furniture Pty Ltd, Qld, Brisbane Australia.
For any assistance with assembly or for missing parts please phone
Amart Furniture, Customer Service Free call 1800 351 084



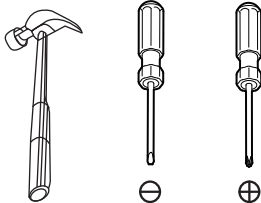




Imported by Amart Furniture Pty Ltd, Qld, Brisbane Australia.
For any assistance with assembly or for missing parts please phone
Amart Furniture, Customer Service Free call 1800 351 084

PRE-ASSEMBLY PREPARATION

Before you start:

1. Choose a clean, level, spacious assembly area. Avoid hard surfaces that may damage the product
2. Take care when lifting. Product should be assembled as near as possible to the point of use
3. Ensure that you have all required contents for complete assembly
4. Always read the assembly instructions carefully before beginning assembly.
5. Keep all hardware parts and packaging out of reach of small children.
6. Do not over tighten the screws and bolts as this may damage the threads

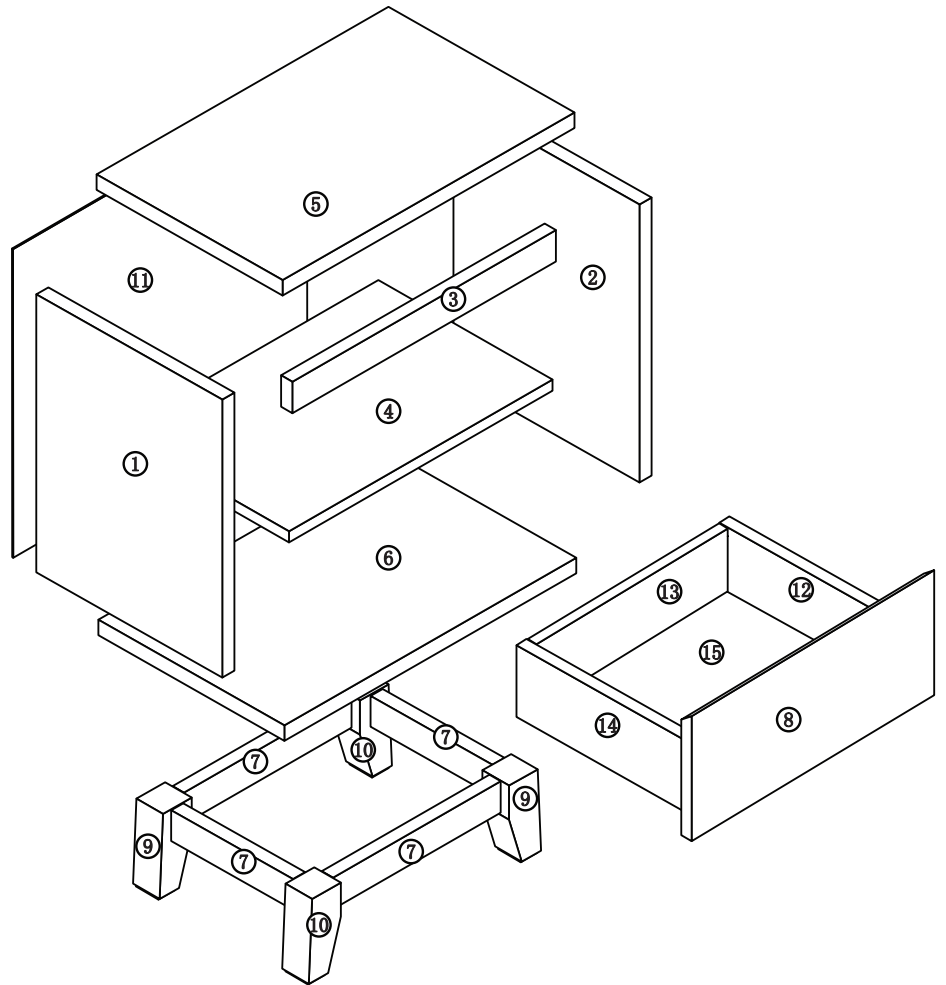
	 x 2
ALLOW 60 MINUTES	PEOPLE REQUIRED
	
TOOLS REQUIRED	





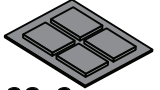

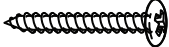
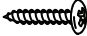



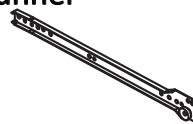
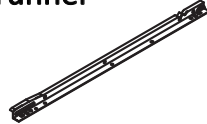
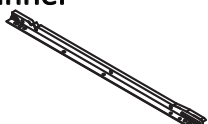
		<p>We recommend using a screwdriver to put this item together. However if you choose to use a power drill it must be used on LOW SPEED (LOW TORQUE) as too much pressure could damage the product</p>
---	---	--

! TIPPING WARNING !	
	<p>Serious or fatal injuries may occur from furniture toppling over. To help avoid this please follow the below recommendations:</p> <ul style="list-style-type: none">• Install the provided "Tipping Kit" as per the instructions• Never allow children to climb on or hang off of any part of this product• Unless specifically designed to accommodate, do not set TVs or other heavy objects on top of this product <p>If this product has drawers:</p> <ul style="list-style-type: none">• Place the heaviest items in lowest drawers• Do not open more than 1 drawer at a time as this may cause the product to become unbalanced• Do not tamper with or remove any drawer interlocking/running system <p>Note: The use of the provided "Tipping Kit" may reduce but not necessarily eliminate the risk of furniture toppling over. Please use this product with caution.</p> <p><i>This is a permanent label. Do not attempt to remove!</i></p>

EXPLODED EXAMPLE

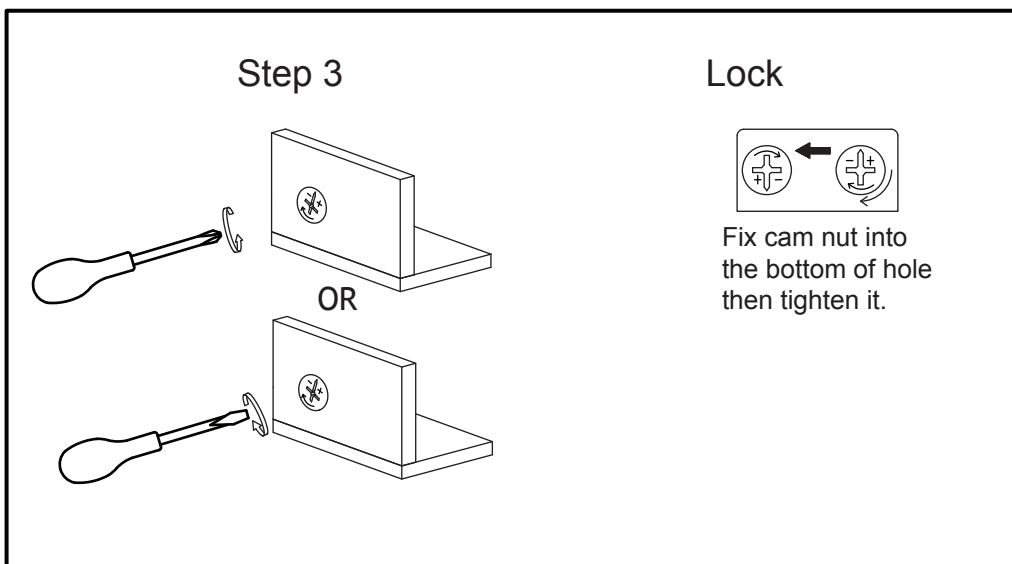
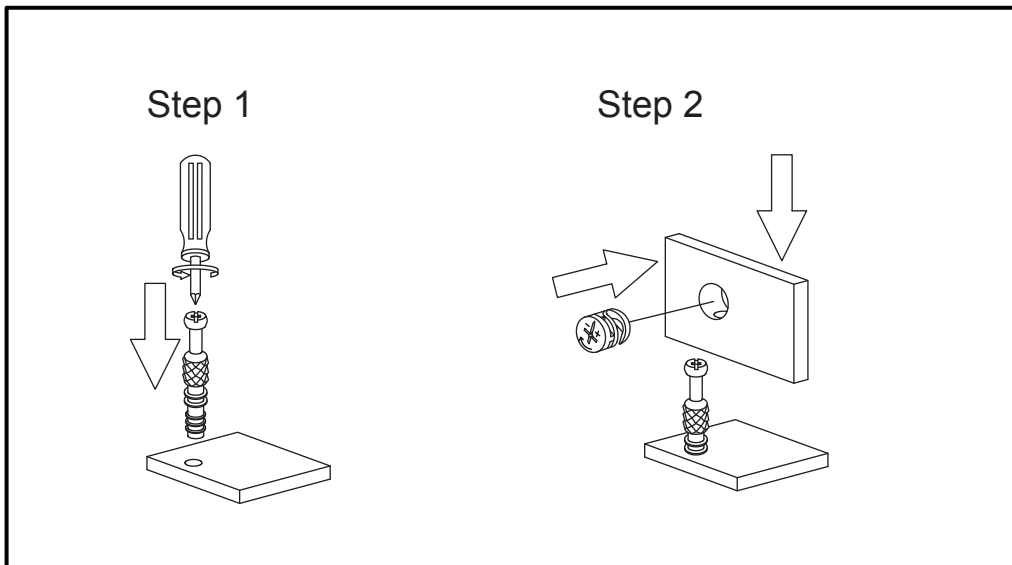
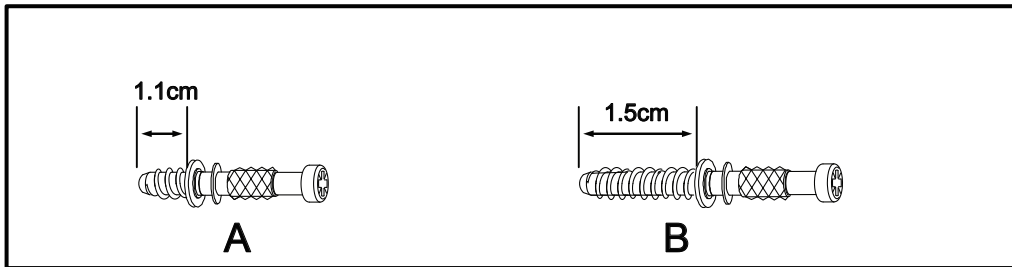
1	LEFT SIDE PANEL
2	RIGHT SIDE PANEL
3	CROSSING BAR
4	SHELF
5	TOP PANEL
6	BOTTOM PANEL
7	SKIRTS
8	DRAWER FRONT PANEL
9	LEG
10	LEG
11	BACK PANEL
12	DRAWER RIGHT PANEL
13	DRAWER BACK PANEL
14	DRAWER LEFT PANEL
15	DRAWER BOTTOM PANEL



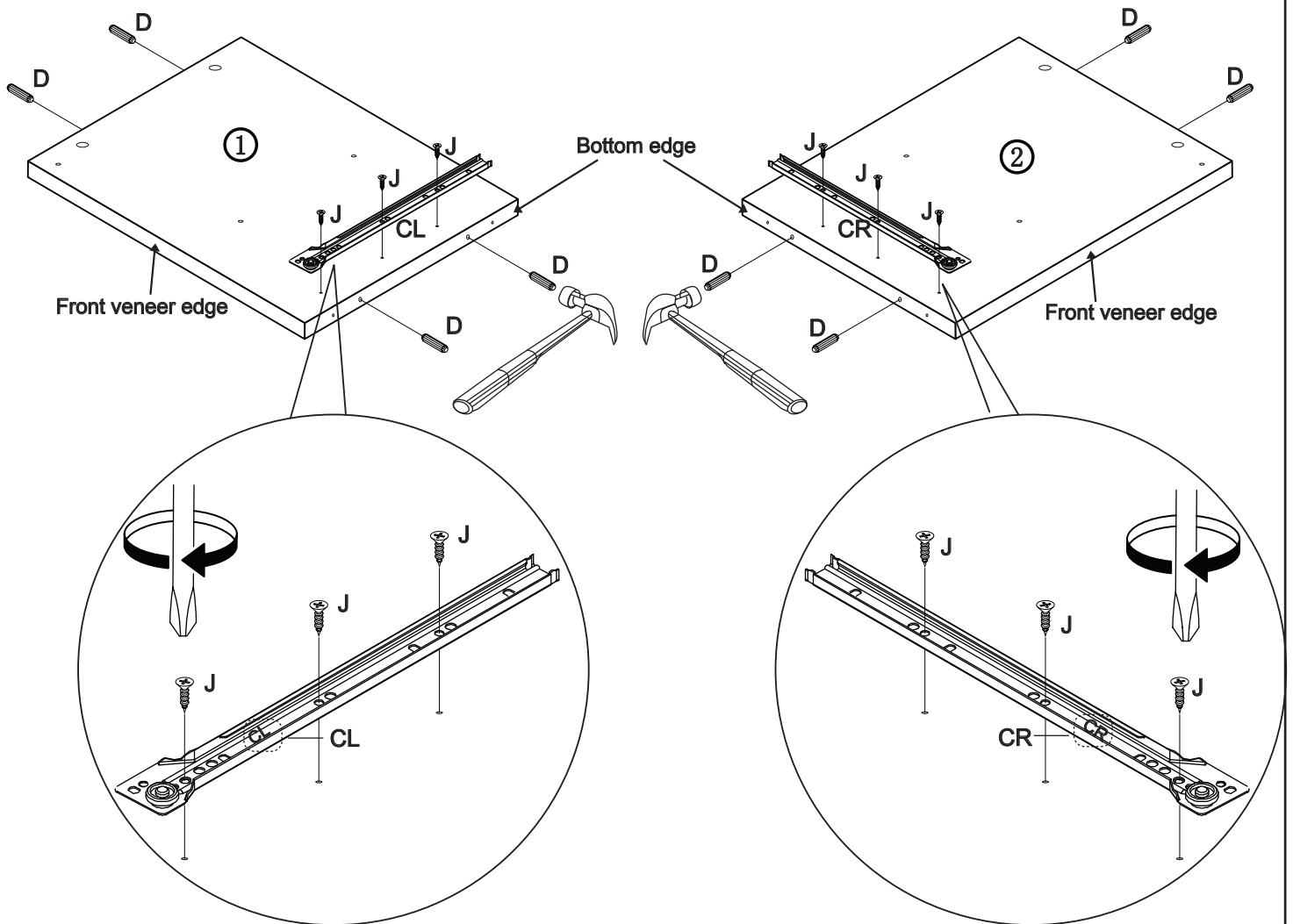
A cam pin  M7x39mm Ax8	B cam pin  M7x54mm Bx8	C cam lock  M14.8x12mm Cx16	D dowel  M8x30mm Dx20	E non-slip sticker  38x38x2mm Ex1
F screw  M5x40mm Fx8	G screw  M5x40mm Gx9	H screw  M3x16mm H x8	I wall fixing  M4x30mm M3.5x14mm Ix1	J screw  M3.5x14mm Jx12
CL runner  300mm CLx1	CR runner  300mm CRx1	DL runner  300mm DLx1	DR runner  300mm DRx1	

PART NUMBER	QTY	DIMENSIONS (MM)
1&2	2	393x360x18
3	1	40x440x15
4	1	375x440x15
5&6	2	395x478x18
7	4	50x265x25
8	1	180x434x15
9&10	4	60x150x40
11	1	475x392x2.5
12	1	110x330x15
13	1	110x383x15
14	1	110x330x15
15	1	324x393x2.5

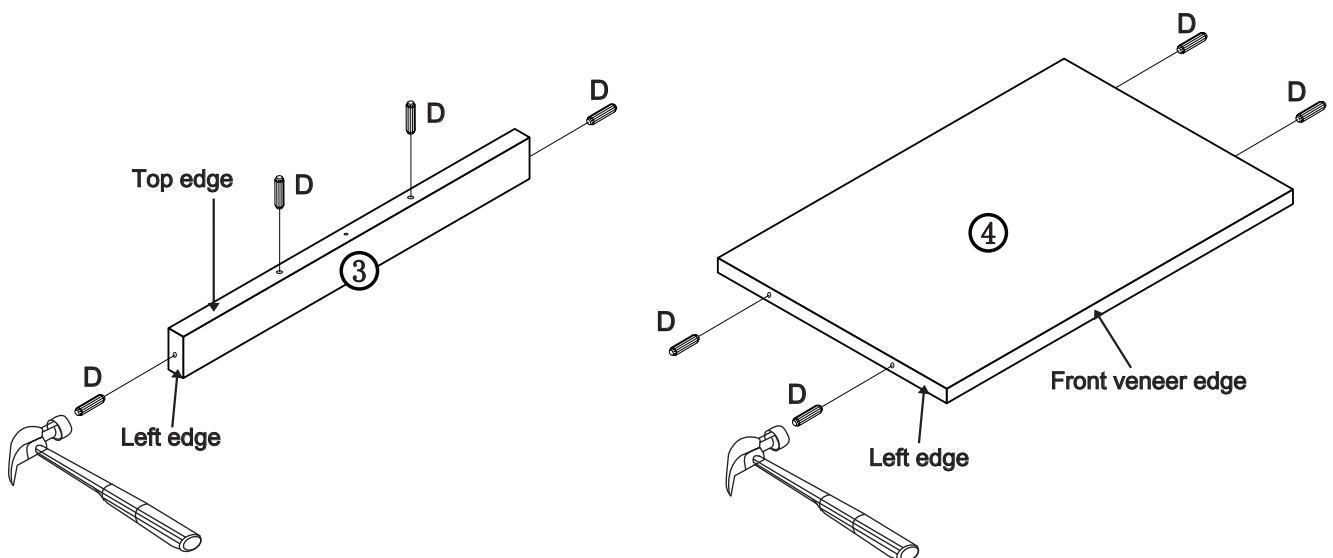
CAM LOCK INSTALL METHOD AS FOLLOWS



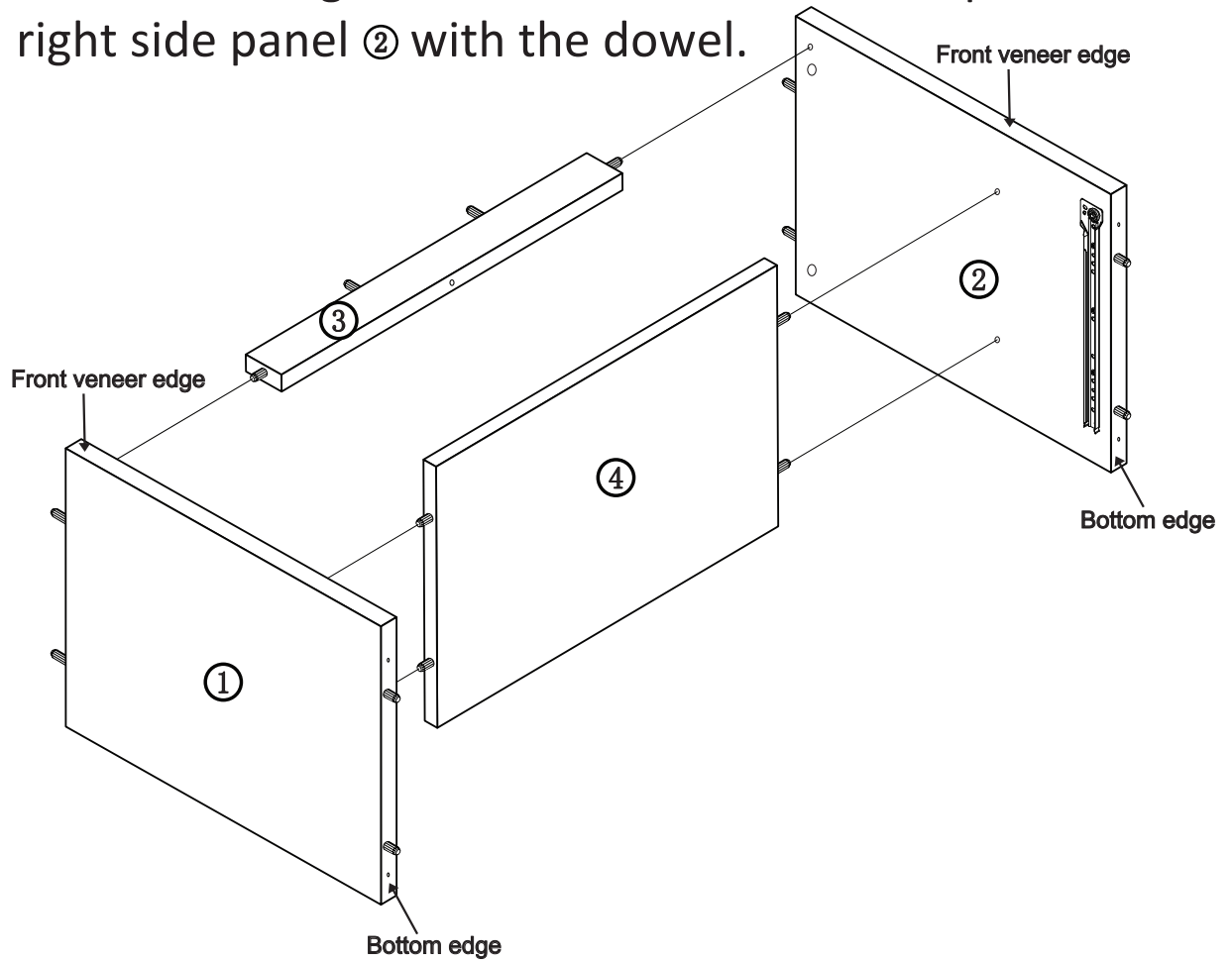
STEP 1: Fix runners **CL** **CR** to left side panel **1** and right side panel **2**.
 Insert dowel **D** to left side panel **1** and right side panel **2**.



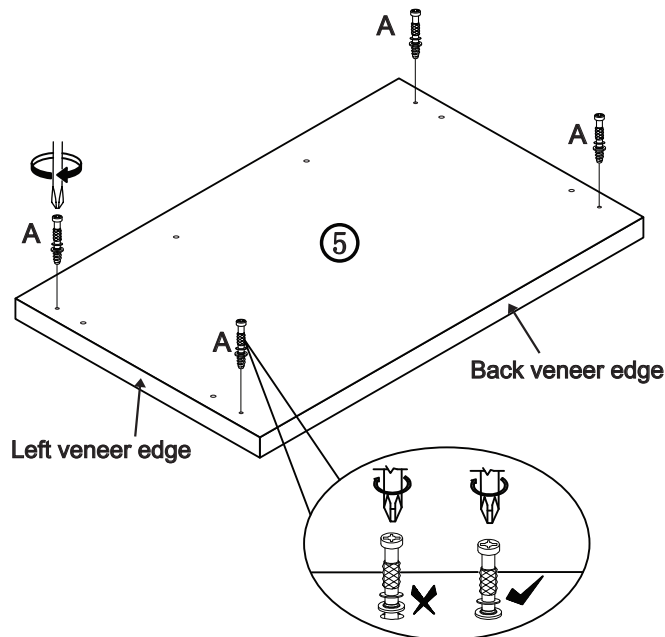
STEP 2: Insert dowel **D** to crossing bar **3** and shelf **4**.



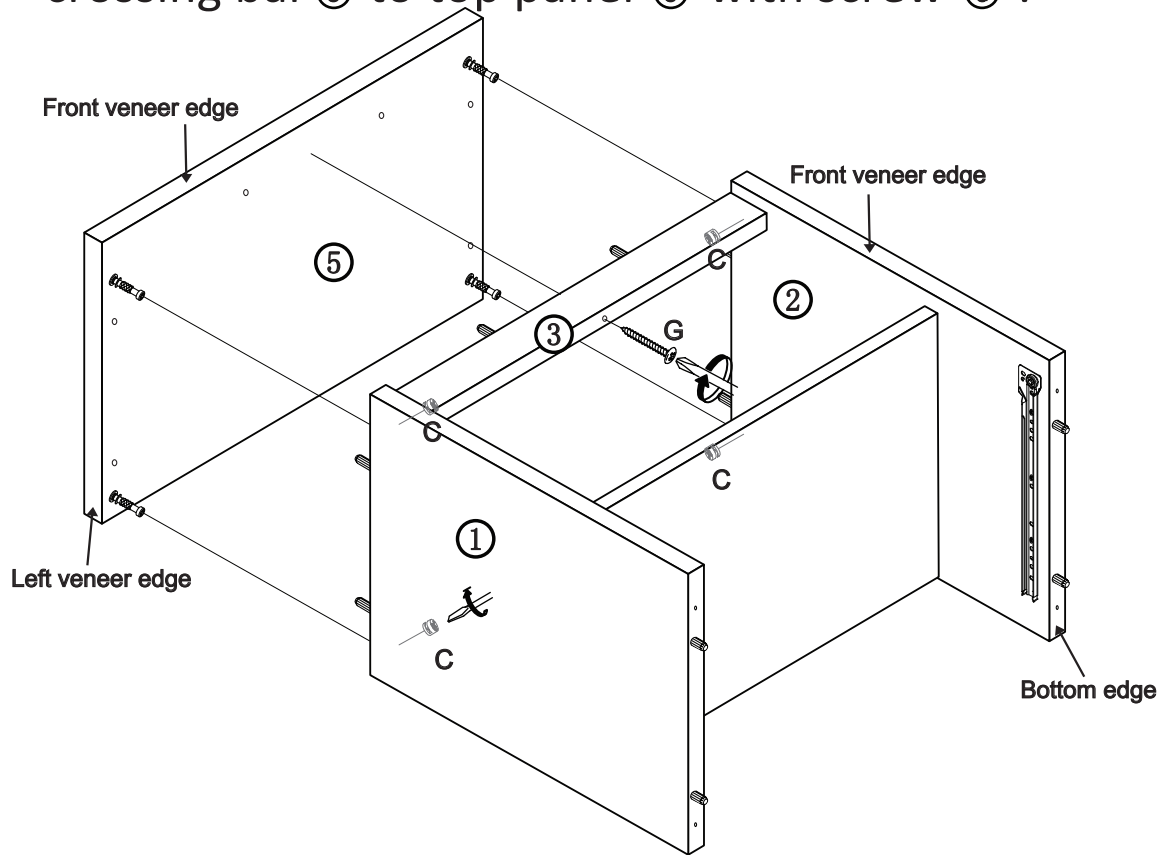
STEP 3: Attach crossing bar ③ and shelf ④ to left side panel ① and right side panel ② with the dowel.



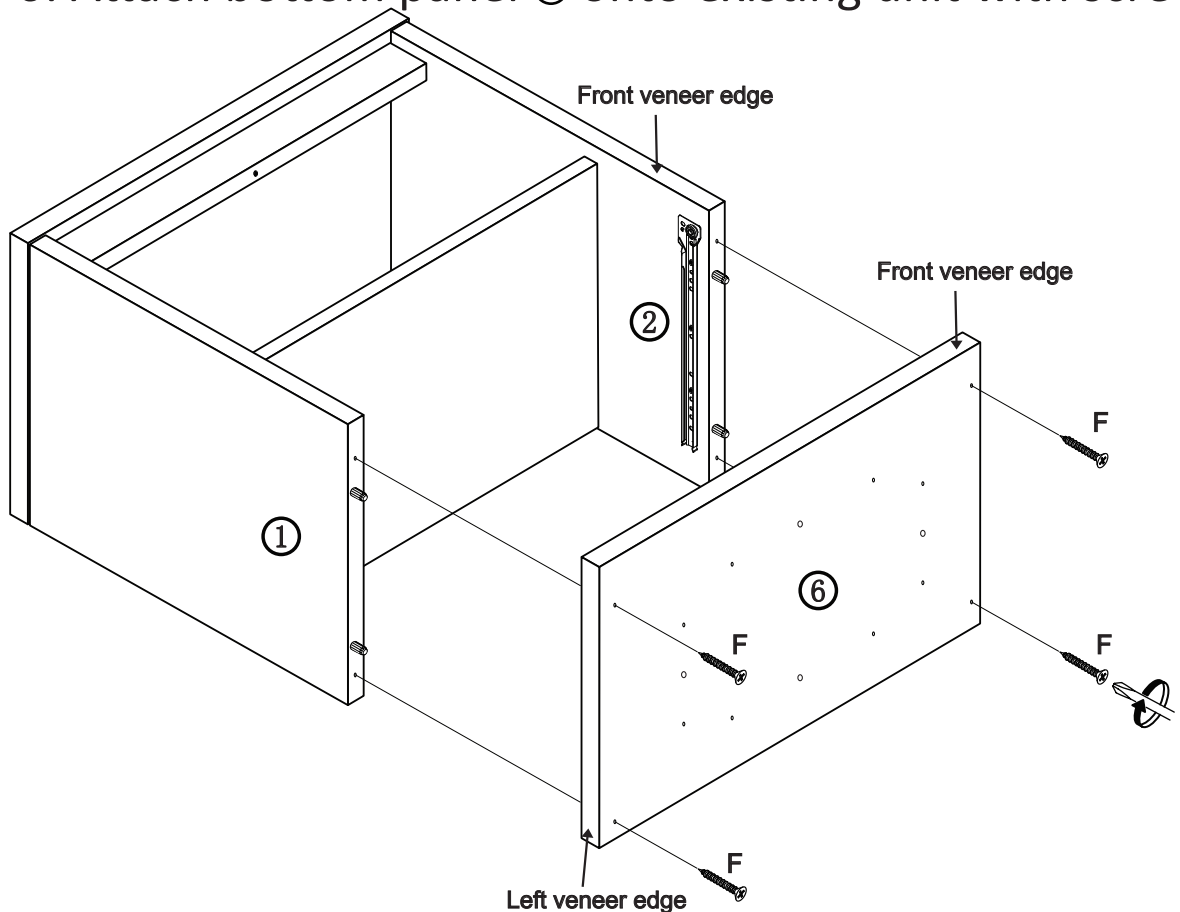
STEP 4: Fix cam pin ① to top panel ⑤.



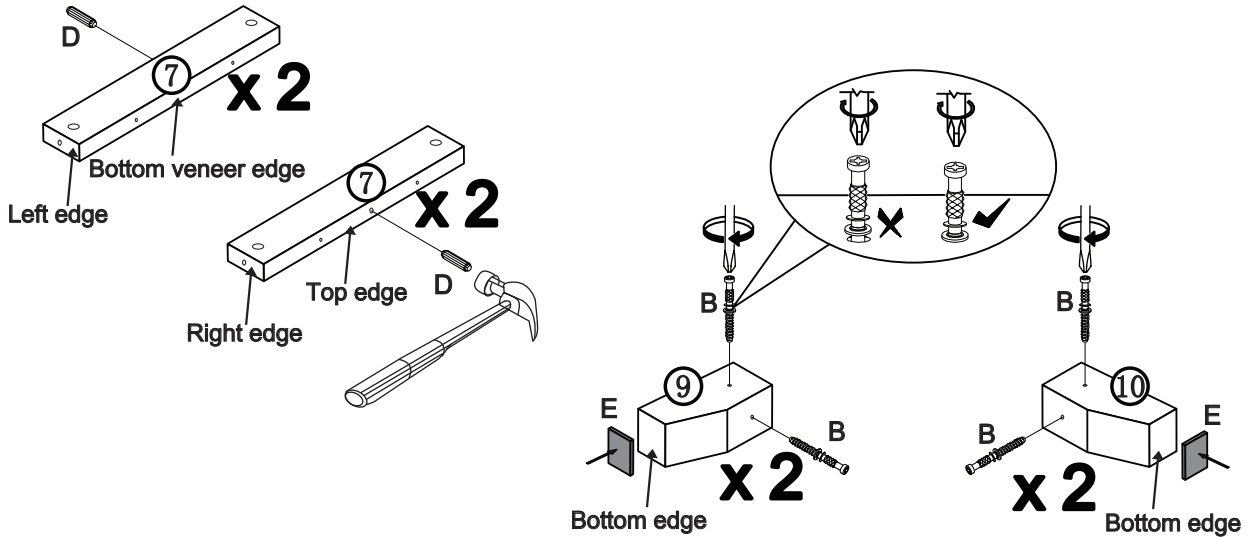
STEP 5: Attach top panel ⑤ to left side panel ①, crossing bar ③ and right side panel ② with the cam locks ④. Attach crossing bar ③ to top panel ⑤ with screw ⑥.



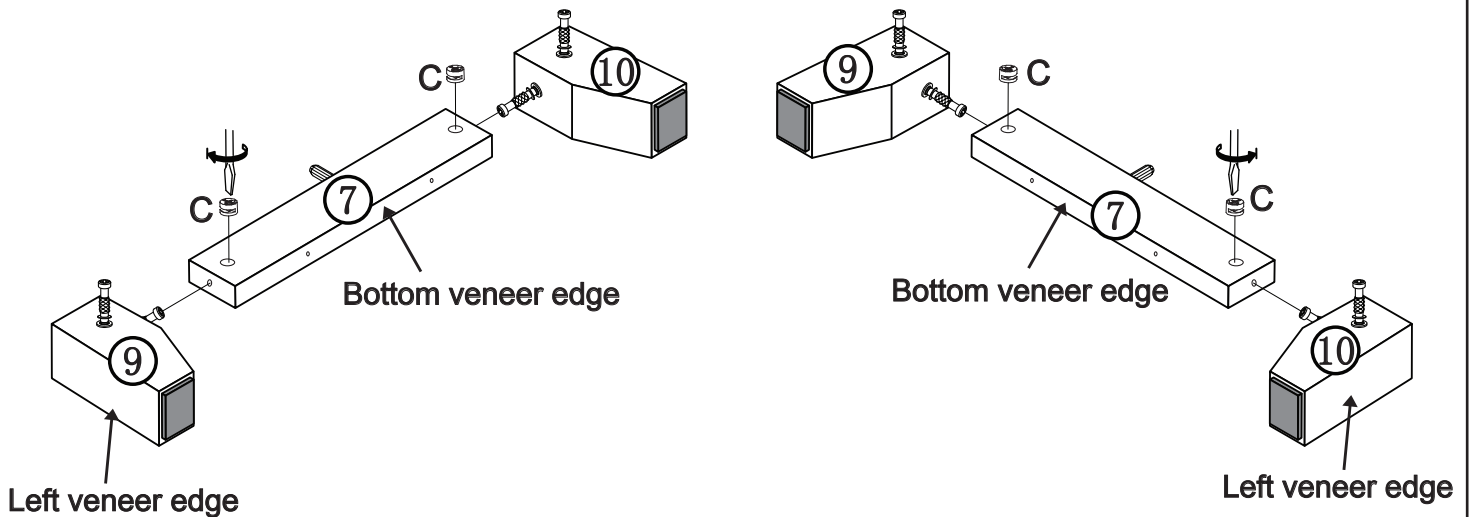
STEP 6: Attach bottom panel ⑥ onto existing unit with screws ⑦.



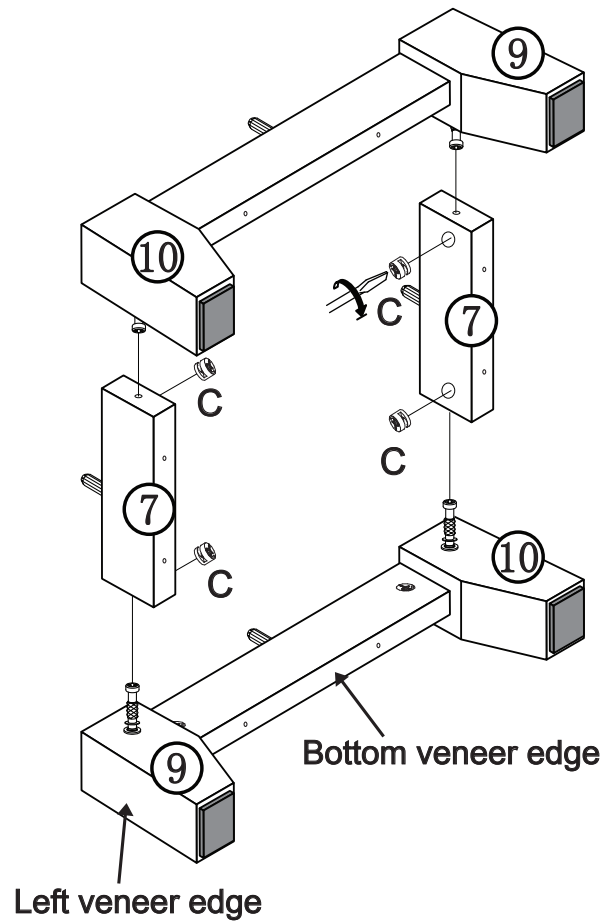
STEP 7: Insert dowel ① to skirts ⑦ .Fix cam pin ② to legs ⑨ ⑩.
 Attach non-slip stickers ⑤ to the bottom of legs ⑨ ⑩.



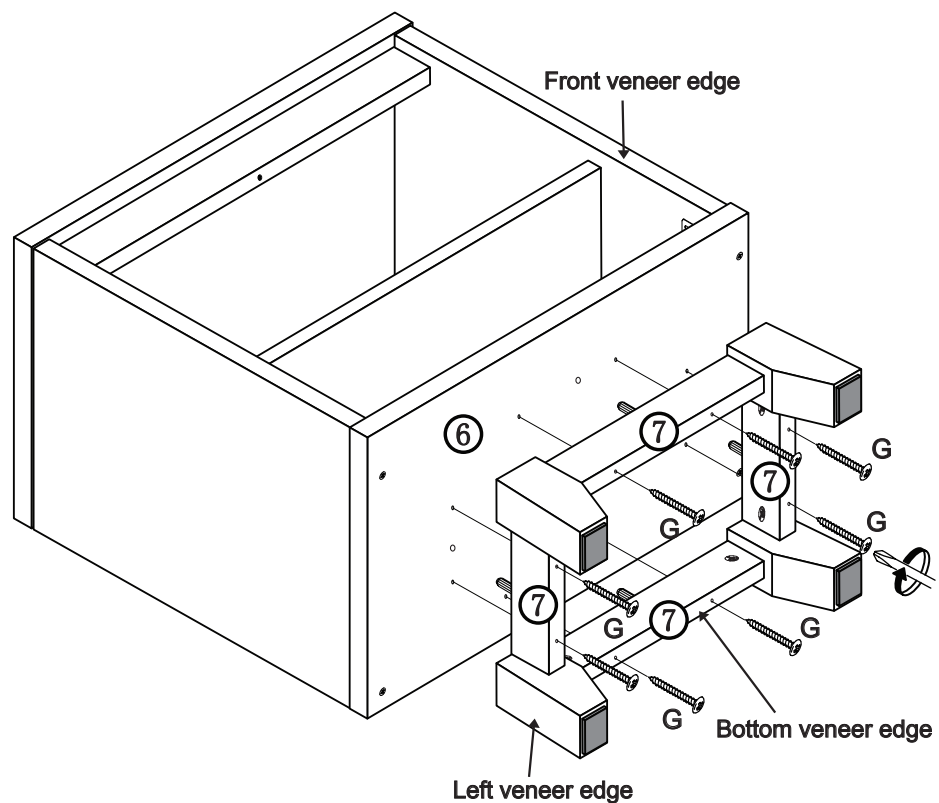
STEP 8: Attach legs ⑨ ⑩ to skirts ⑦ with the cam locks ③ .



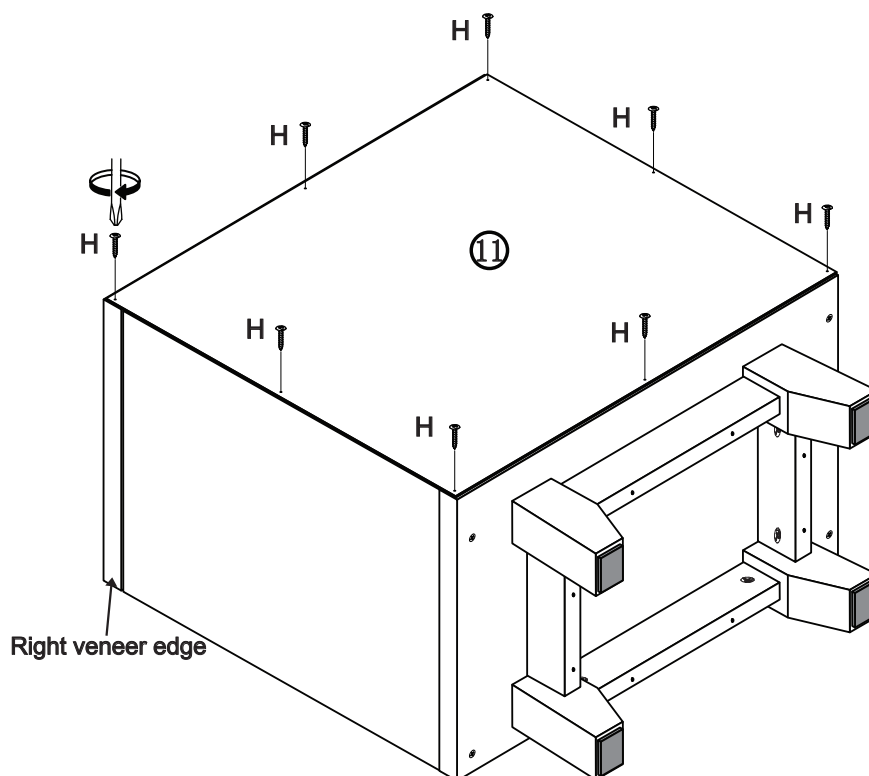
STEP 9: Attach legs ⑨ ⑩ to skirts ⑦ with the cam locks ③ .



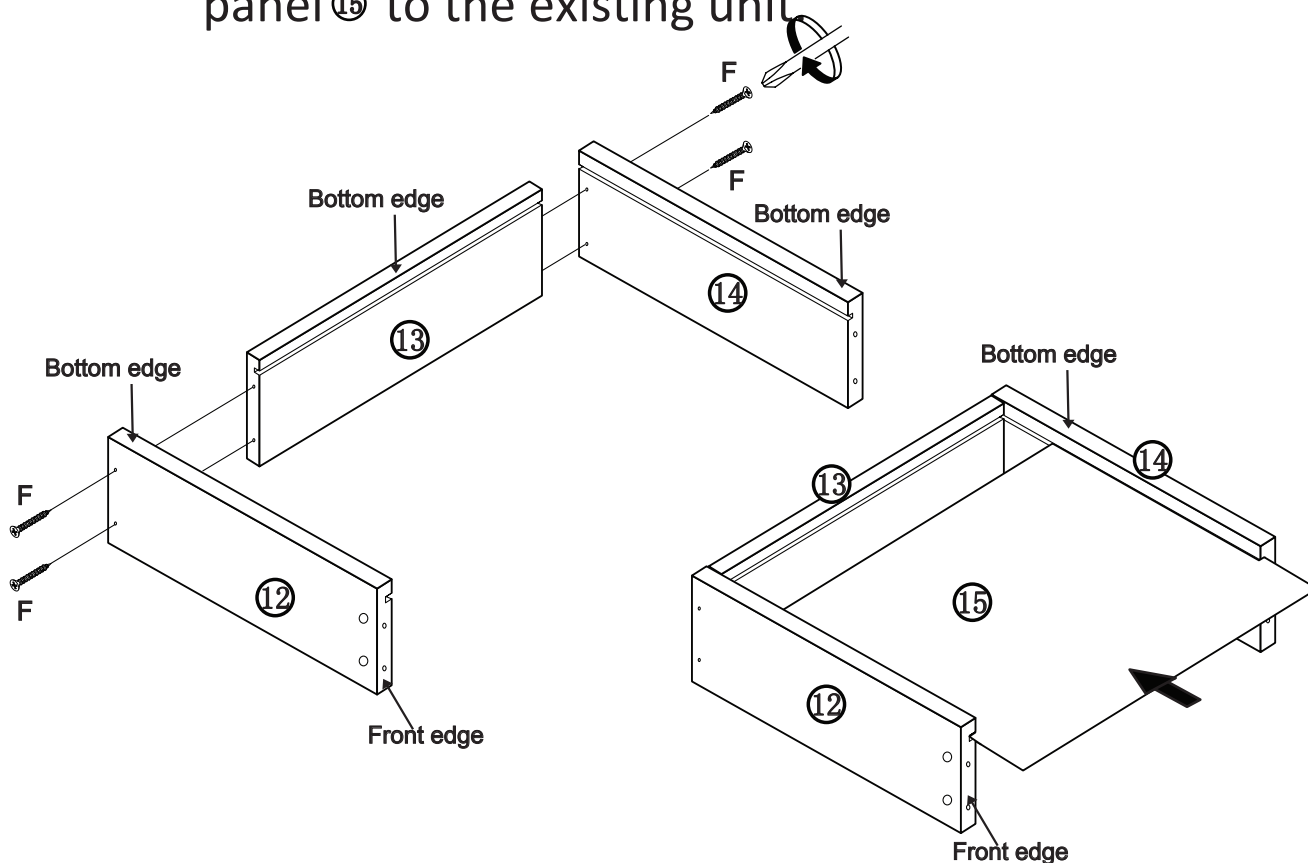
STEP 10: Attach the bottom parts to existing unit with screws ④ .



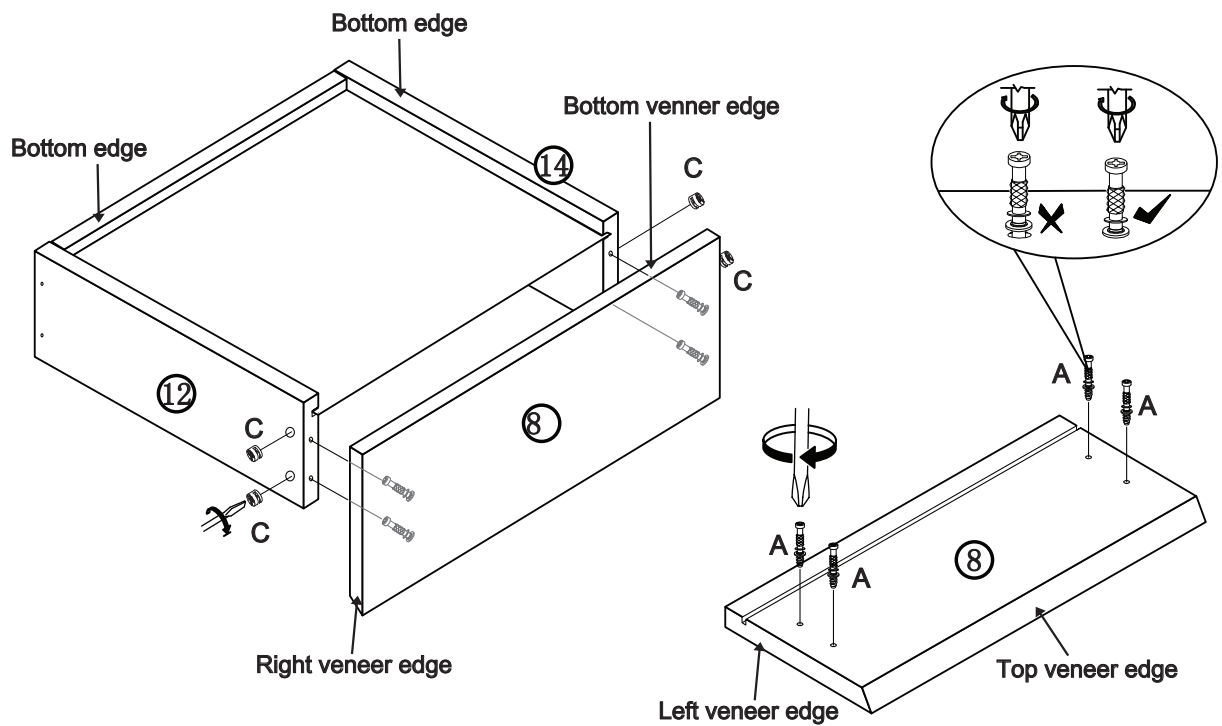
STEP 11: Attach back panel ⑪ onto existing unit with screws ⑧ .



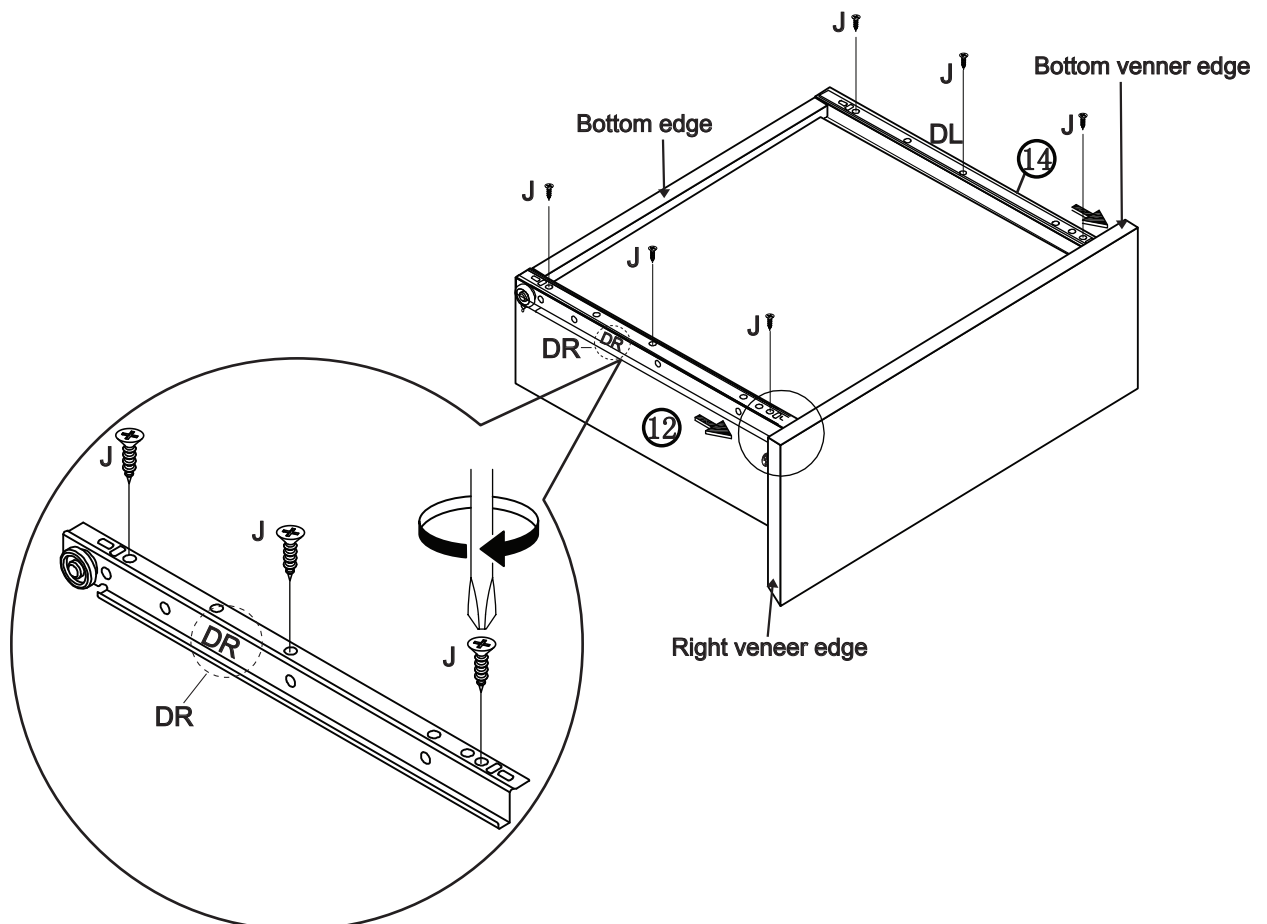
STEP 12: Attach drawer left panel ⑭ and drawer right panel ⑫ to drawer back panel ⑬ with screw ⑥ . Insert bottom panel ⑮ to the existing unit



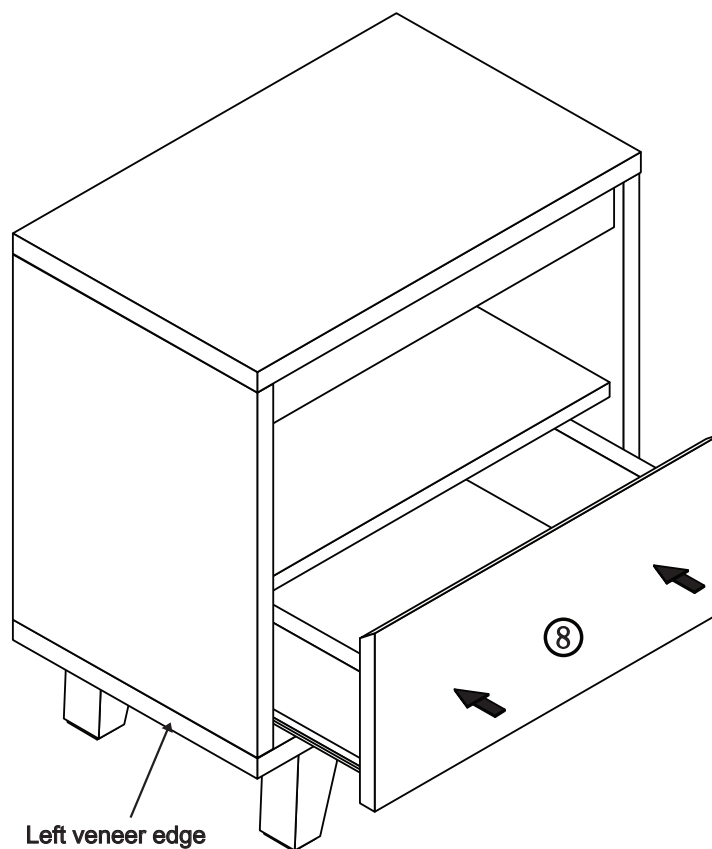
STEP 13: Fix cam pin ① to drawer front panel ⑧. Attach drawer front panel ⑧ to the body of drawer with cam locks ③.



STEP 14: Fix runners ⑭ to the bottom of drawer using screws ①.

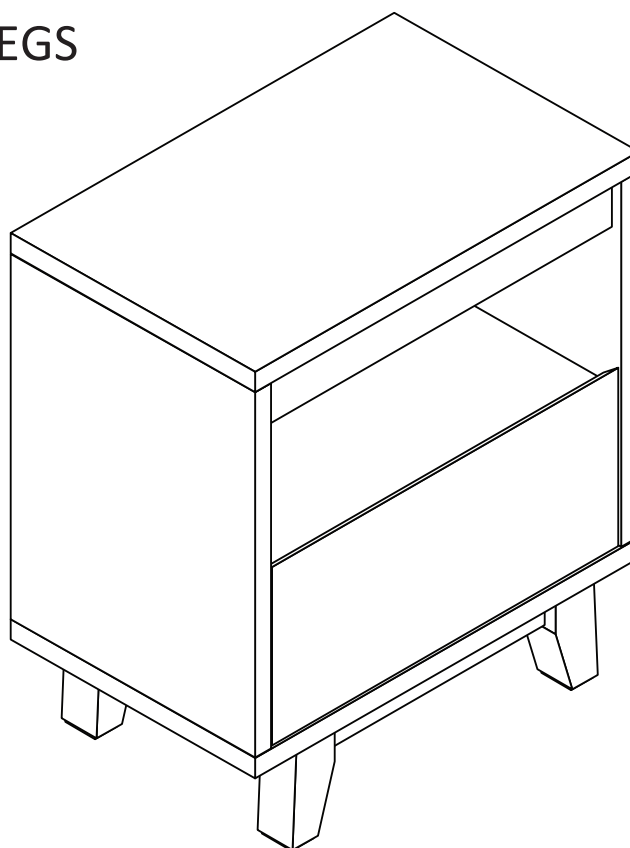


STEP 15: Assemble drawers to the unit.



ASSEMBLY COMPLETE

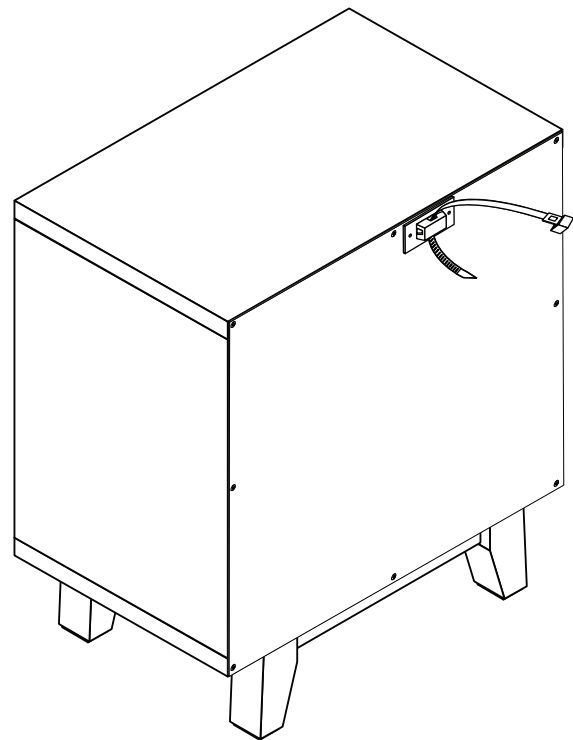
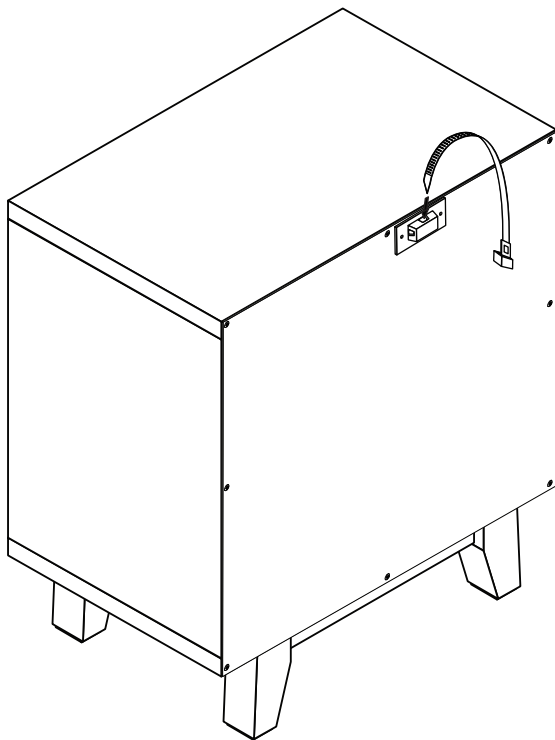
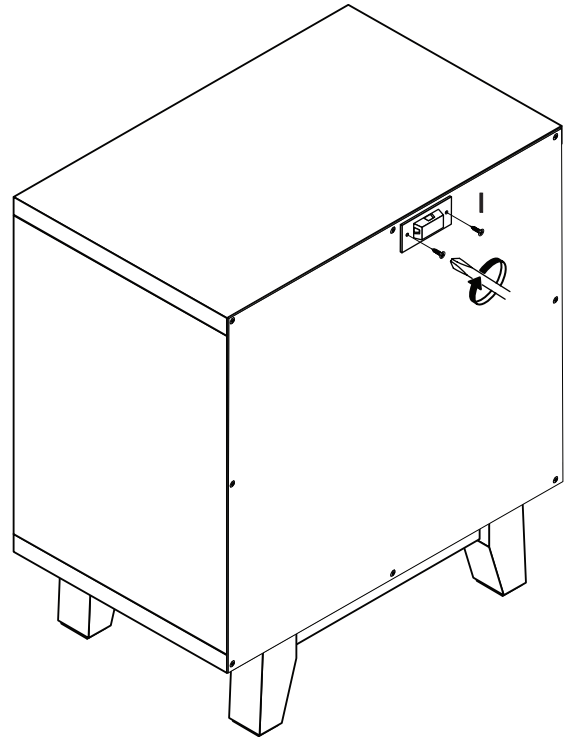
DO NOT PUSH OR DRAG THIS FURNITURE – IT WILL CAUSE DAMAGE TO THE LEGS



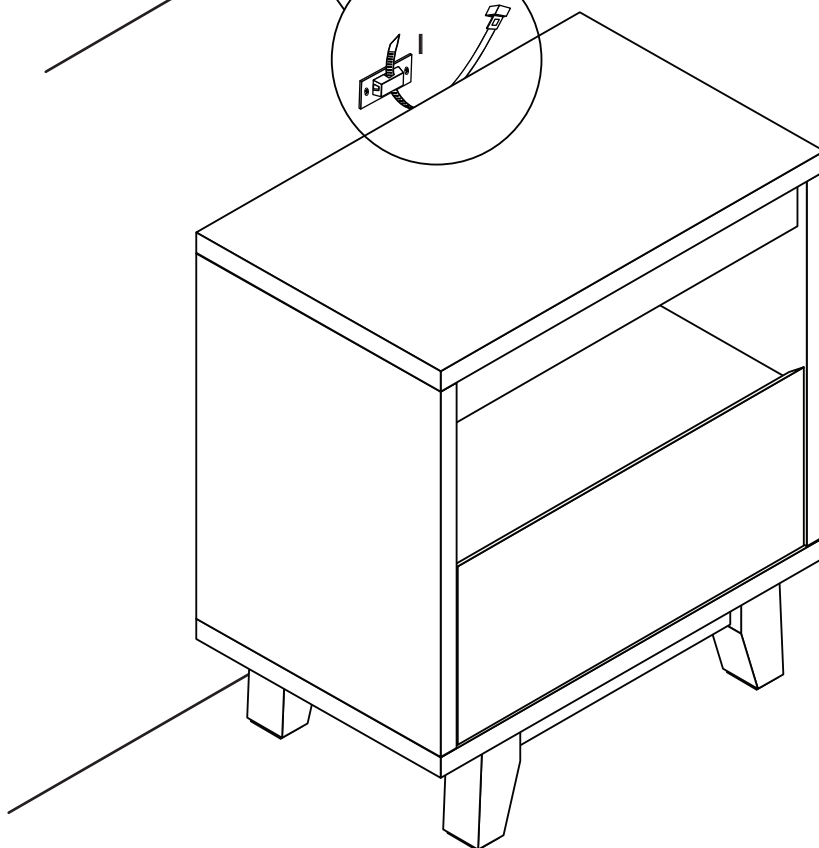
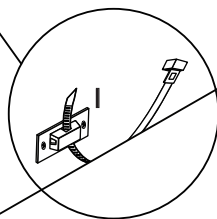
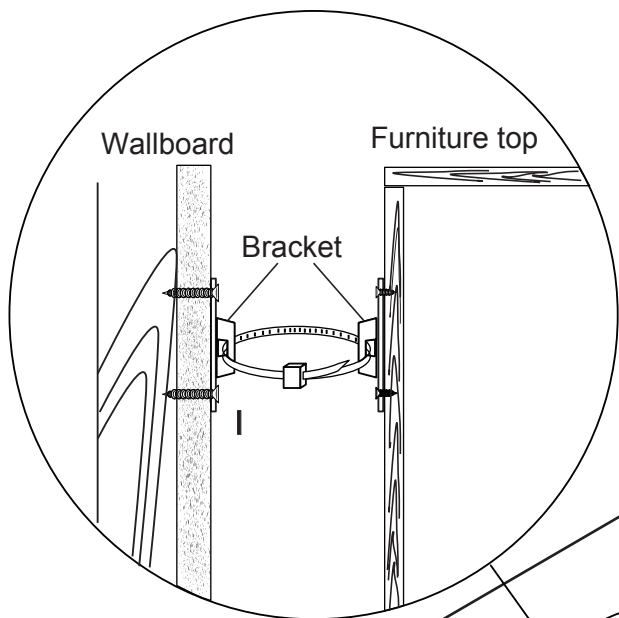
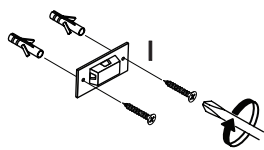


STEP 1: Fix bracket to back panel using screws M3.5*14MM .
Put plastic string into bracket.

NOTE - This product must be fixed to a wall.
Please ensure the correct wall fixings are used.
Failure to do so may result in personal injury or
cause property damage if the product topples
over. Please note that the screws are only
suitable for plasterboard wall materials, please
contact local hardware store for corresponding
screws for other wall materials.



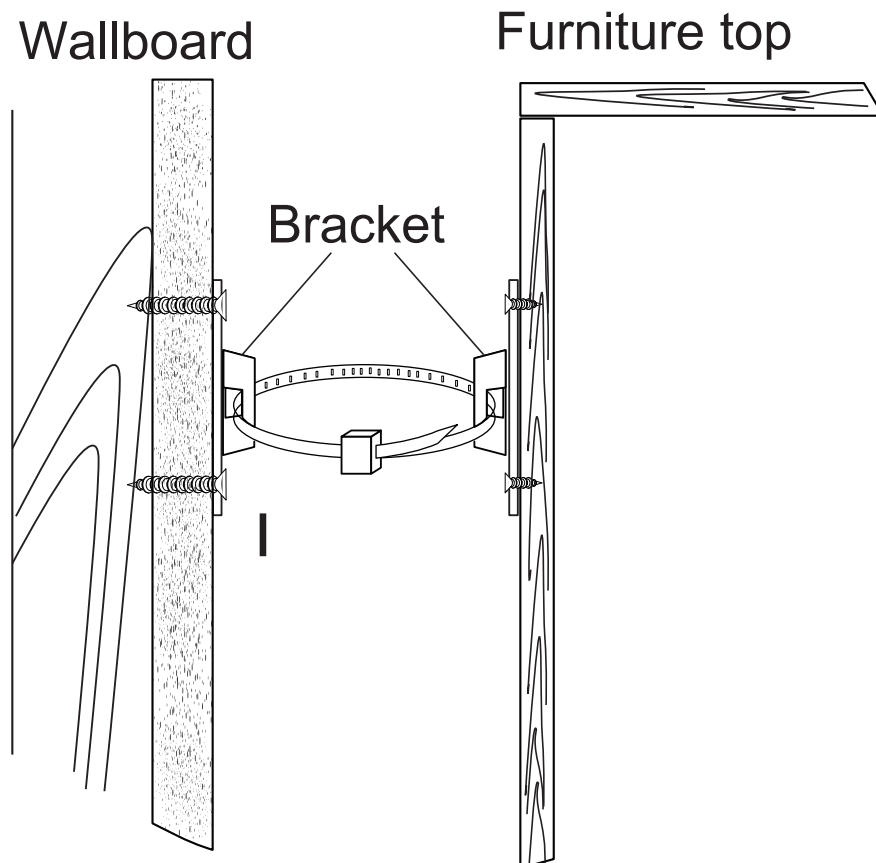
STEP 2: Fix bracket onto the wall using screws M4*30MM.
Join wallboard and the furniture with plastic sting.





SAFETY BRACKETS INSTRUCTIONS

1. Attach a bracket to the wallboard with the long screws provided.
2. Attach a bracket to the furniture frame under the top with the short screws provided.
3. Move the furniture into its final position. Thread a strap through the bracket as shown in the illustration, tighten strap until snug. Do not over tighten.
4. Make sure the bracket is firmly attached to the wallboard and furniture, and the strap is snug.



PRODUCT CARE:

To protect your furniture, we suggest the following:

*Avoid placing your furniture in direct sunlight.

*Do not place furniture directly under windows.

*Do not place sharp materials(knife, fork, etc) directly onto your furniture as sharp material may scrape and damage the finish.

Do not place material with high temperature directly onto the surface of your furniture.

*Protective padding is strongly recommended when using your furniture .

*Clean up spills quickly. Water left over a prolonged period of time may cause damage. Alcohol, perfume, nail polishes, aftershave and some medication may cause severe finish damage if not cleaned immediately.

*Use a clean, soft, dry, lint free absorbant cloth to clean your furniture. Do not use any detergent as they may contain ingredients that may react and damage the finish.

NOTE: If the above care advise is not adhered to your product warranty may become void.